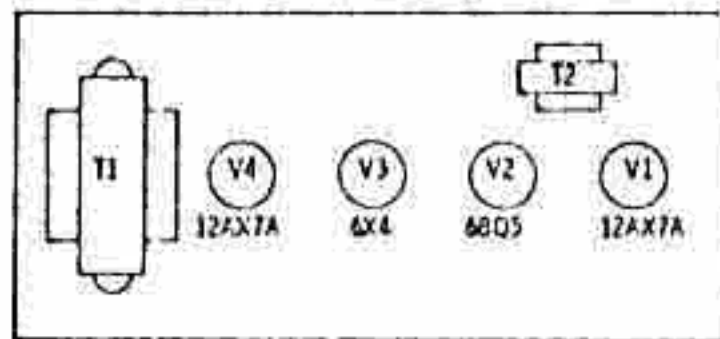
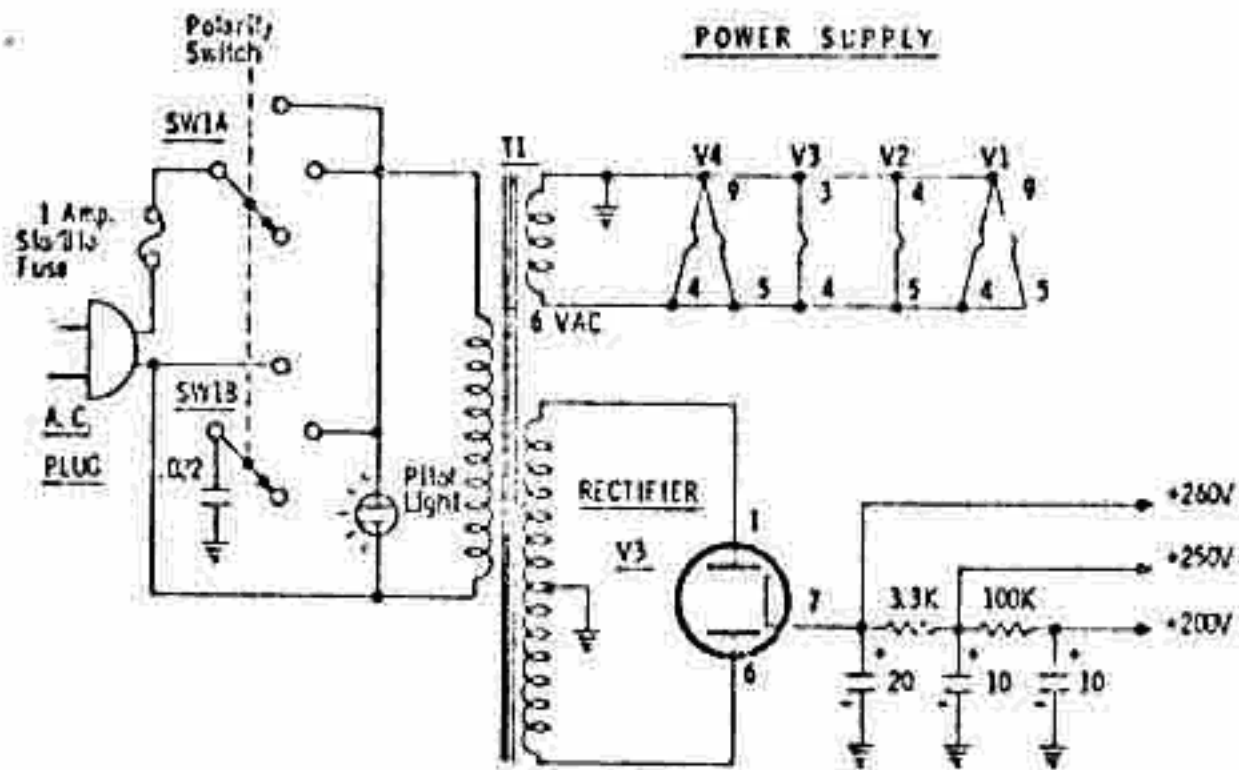


POWER SUPPLY



COMPONENT LOCATION DIAGRAM

VOLTAGE CHART

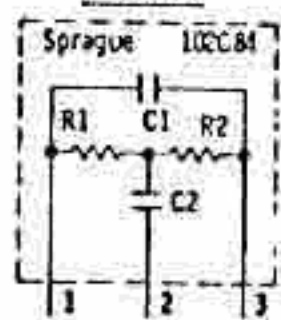
PIN	V1	V2	V3	V4
1	+15V	-	250 VAC	+219V*
2	0	0	-	0
3	+2.3V	+7.7V	Heater	+2.3V*
4	Heater	Heater	Heater	Heater
5	Heater	Heater	-	Heater
6	+16V	-	250 VAC	-
7	0	+250V	+260V	-
8	+1.6V	-	-	-
9	Heater	+250V	-	Heater

* Pulse

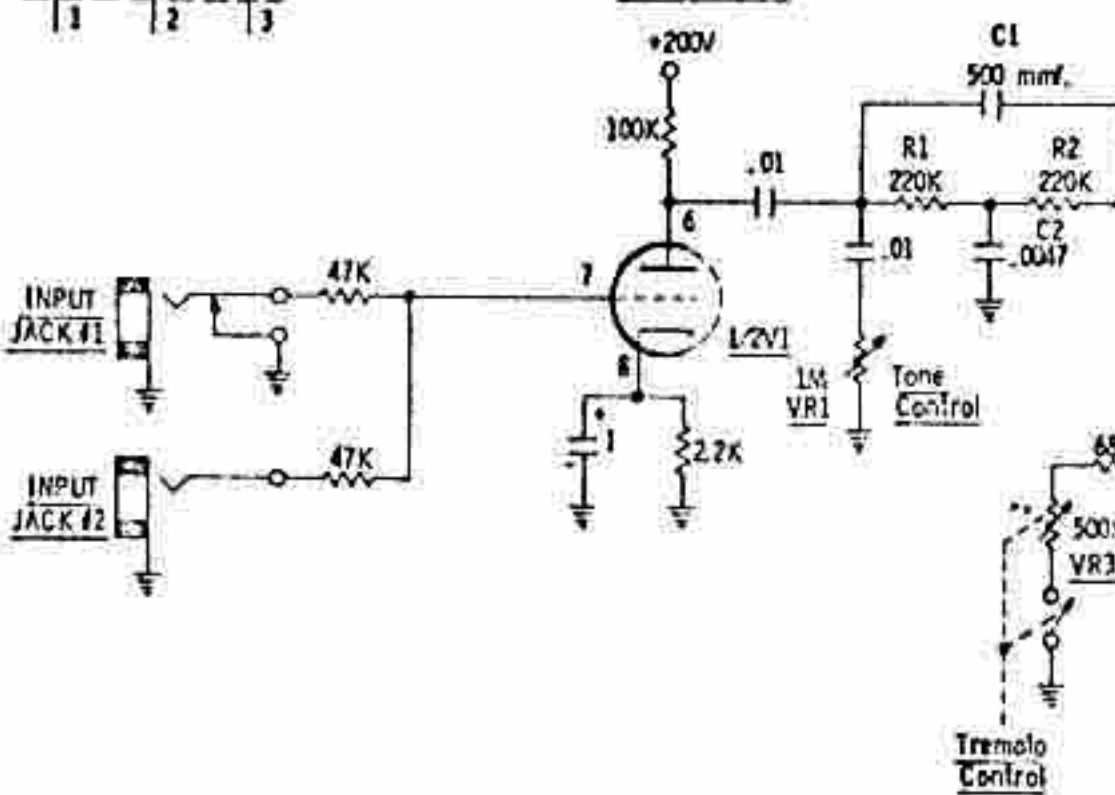
NOTES:

1. All resistors 1/2 watt 10% unless otherwise specified.
2. All capacitors are in microfarads unless otherwise specified.
3. All voltages measured to ground with a Simpson 260 VOM.
4. See parts list for component part nos.

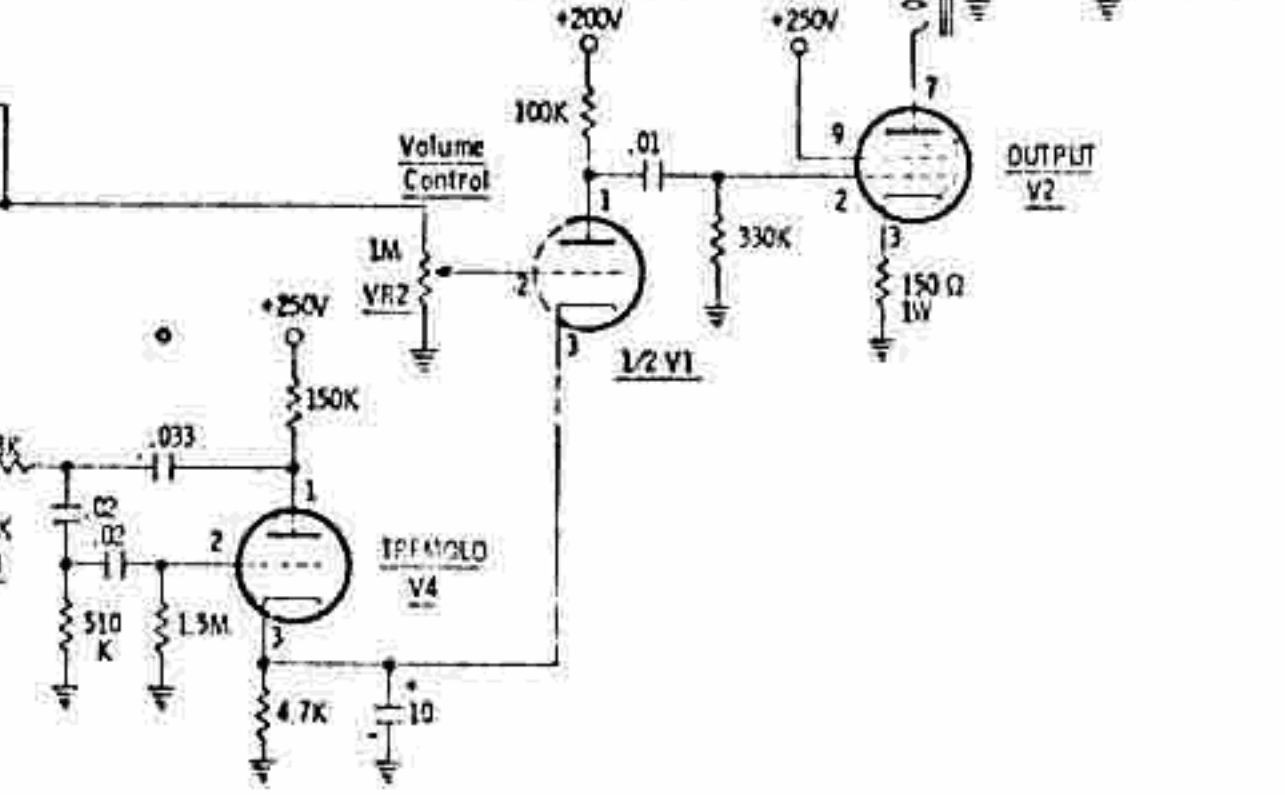
NETWORK



INPUT PREAMP



VOLTAGE AMP



GIBSON
SKYLARK/TREMOL
AMPLIFIER
Dwg. No. 1